



MOBILE STAND MS-1

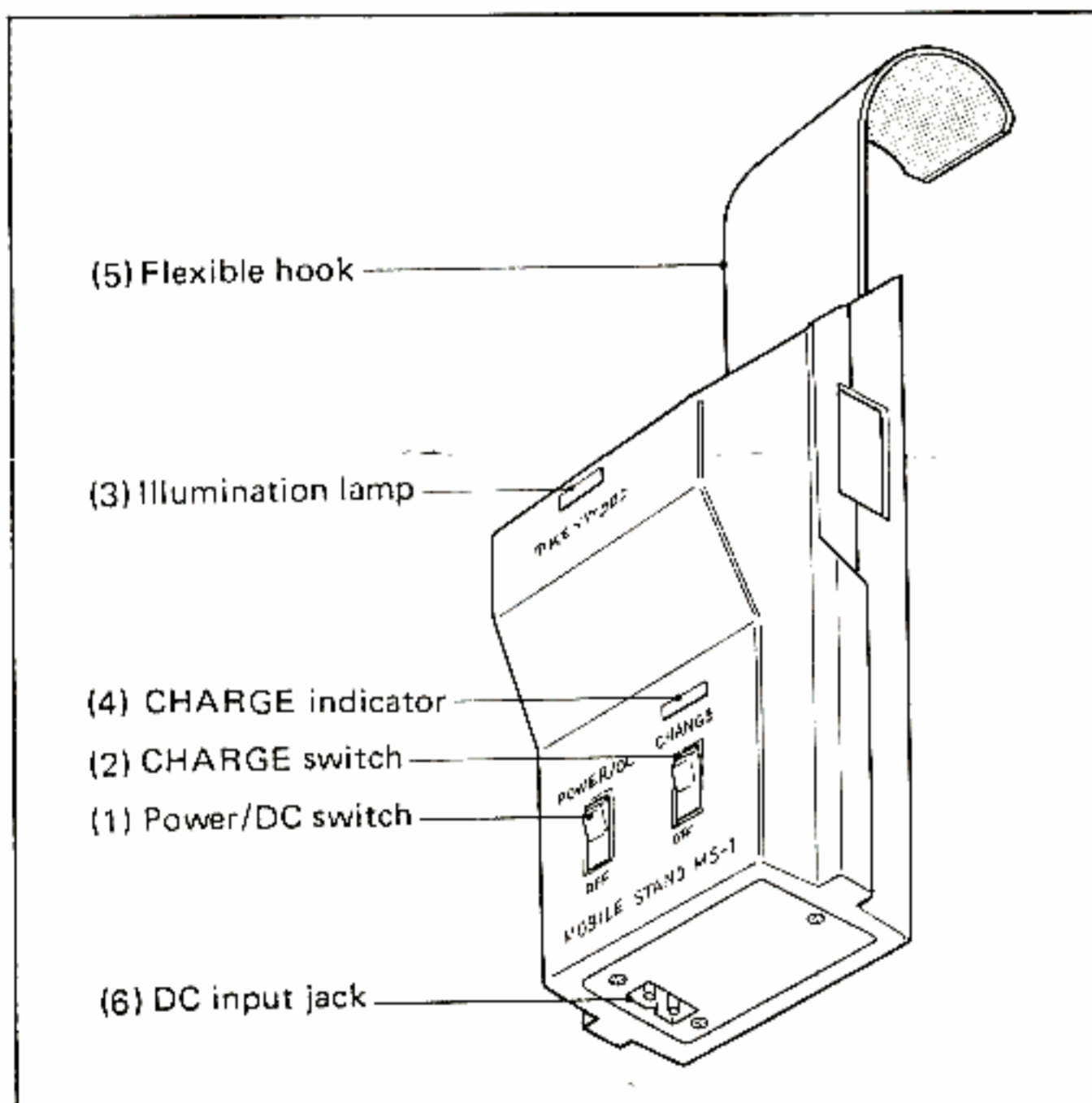
INSTRUCTION MANUAL

The MS-1 Mobile Stand is designed specifically for drop-in mobile operation of the TR-2500 Transceiver. It is a DC-DC power supply to operate the transceiver, and an independent Ni-Cd battery charger.

The MS-1 is supplied with the following accessories.

- (1) Flexible hook 1
- (2) Input cord with cigarette lighter plug 1
- (3) Instruction manual 1
- (4) Attaching tape (VELCRO®) 1
- (5) Screws (M3x5) 4

COMPONENT OPERATION AND FUNCTION



1. Power/DC Switch

Turn this switch ON for the MS-1 to deliver 9V DC to operate the transceiver. This switch also controls the keyboard illumination lamp.

2. Charge Switch

Turn this switch ON and the Ni-Cd battery will trickle charge.

* This switch is independent of the power switch. The Ni-Cd battery can be charged at any time, and is independent of transceiver operation.

3. Illumination Lamp

This lamp will light when the power switch is ON, illuminating the transceiver key board.

4. Charge Indicator

This LED indicate the Ni-Cd battery is being charged.

5. Flexible Hook

Attach this hook to any convenient place in your vehicle to suspend the unit. The flexible design permits installa-

tion of your transceiver in any type of vehicle. A VELCRO® type fastener is included to augment, or substitute for this hanger in certain installation situations.

6. DC Input Jack

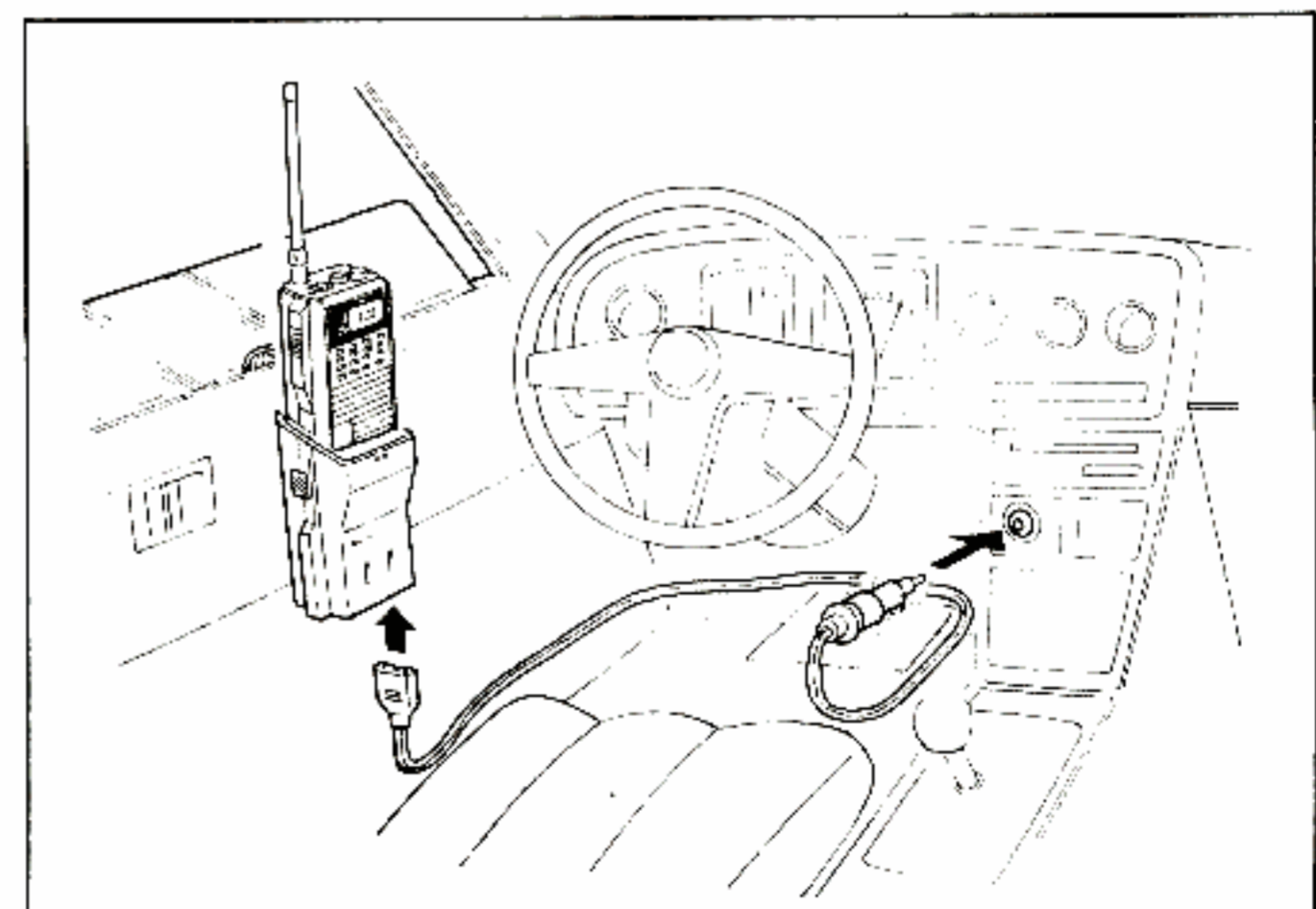
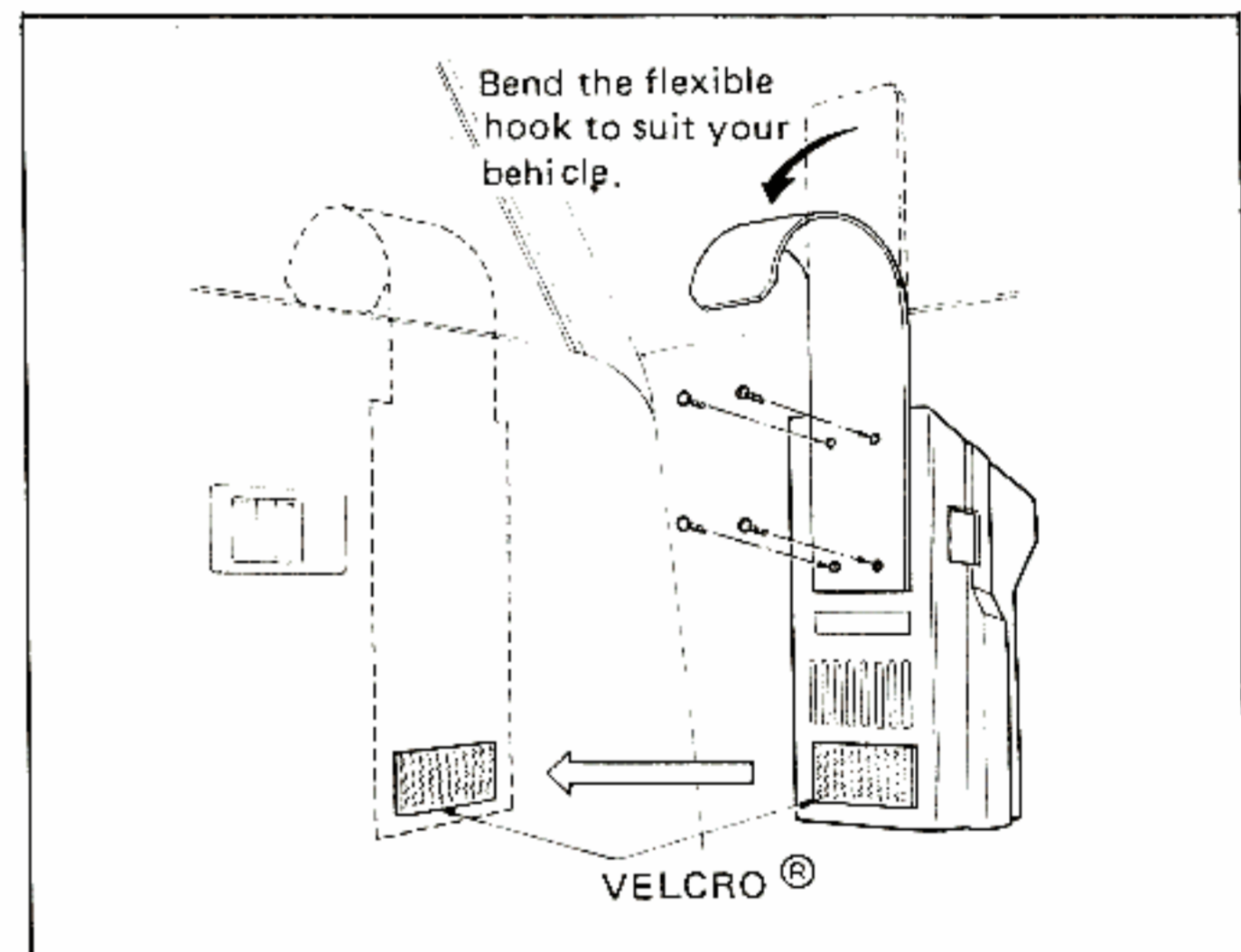
Connect the supplied input cord with 2P cigarette lighter plug to the DC input jack.

CAUTION: The specified input voltage is 13.8V. DC, negative ground. Do not connect this device to a 24V DC truck, a 28V DC aircraft, or any other incorrect DC source. Immediate equipment damage will occur.

OPERATION

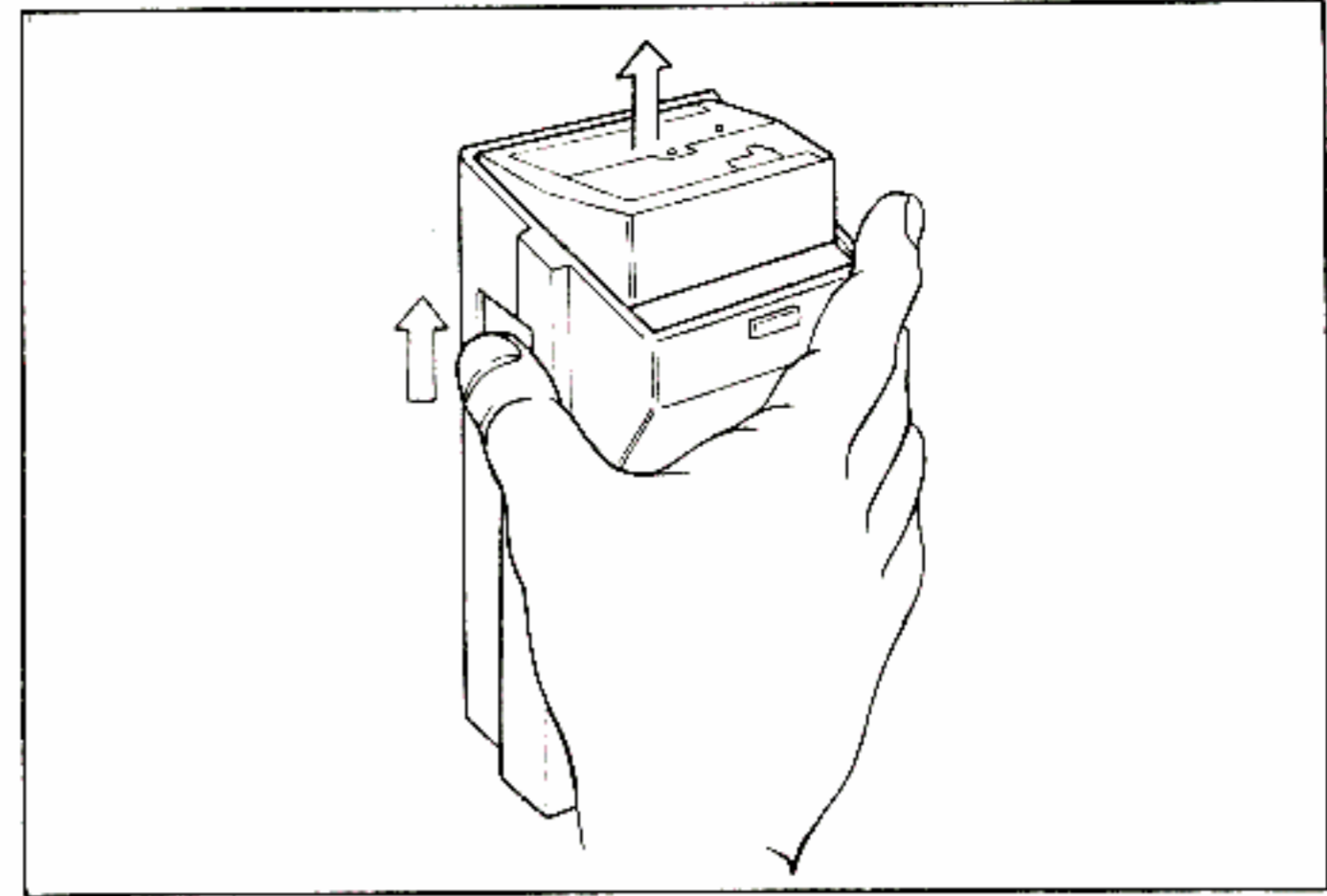
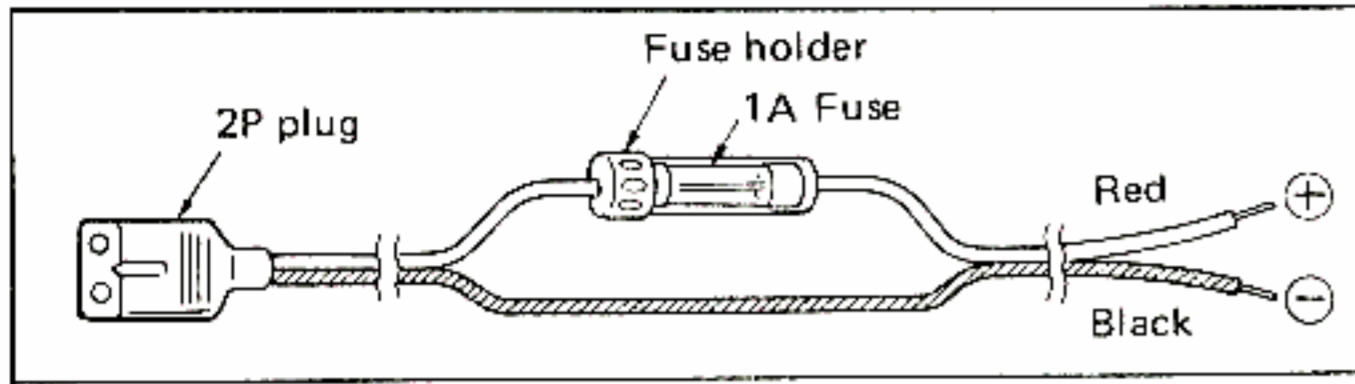
Slide the TR-2500 into the MS-1 and connect the DC power plug to the cigarette lighter socket in your vehicle. Turn the power switch ON and 9V DC is delivered to operate the transceiver.

To charge the transceiver Ni-Cd battery, turn the Charge switch ON for convenient mobile operation, use of the SMC-25 speaker /mic is suggested.



■ CAUTION

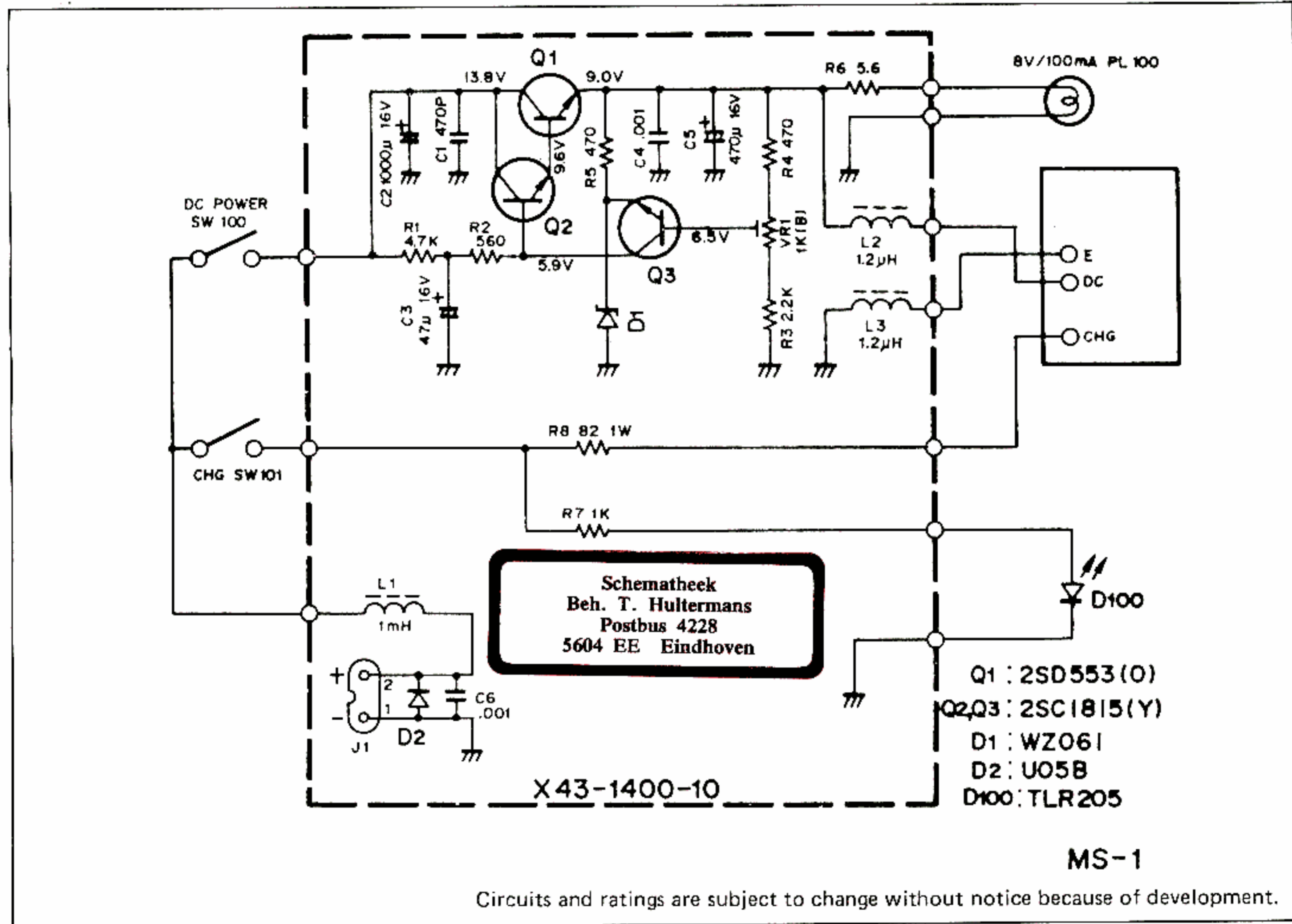
When connecting the input cord without using the cigarette lighter plug, be sure to use a 1A fuse as illustrated, observing the "+" (red) and "-" (black) polarity.



To remove the Ni-Cd battery pack, lift it up through the side openings.

■ SPECIFICATIONS

- Type of battery: N-425R, 7 cell pack, series connection
- Charging current: Approx. 45 mA (at 13.8V DC input)
- Charging time: Approx. 15 hours
- Output voltage: 9V DC
- Output current: 800 mA (at 13.8V DC input, max. load)



A product of
TRIO-KENWOOD CORPORATION
17-5, 2-chome, shibuya, shibuya-ku Tokyo 150, Japan

TRIO-KENWOOD COMMUNICATIONS
1111 West Walnut Street, Compton, California 90220 U.S.A.
TRIO-KENWOOD COMMUNICATIONS, GmbH
D-6374 Steinbach TS Industriestrasse RA West Germany
TRIO-KENWOOD ELECTRONICS, N.V.
Leuvensesteenweg 504, B-1930 Zaventem, Belgium
TRIO-KENWOOD (AUSTRALIA) PTY. LTD.
4E Woodcock Place, Lane Cove N.S.W. 2066, Australia